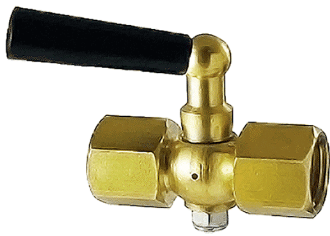
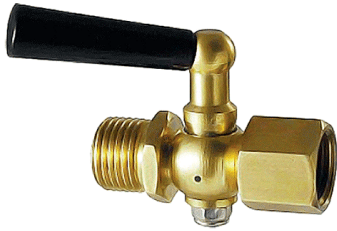


Useful to isolate the pressure gauge from the system.  
The most common applications of this ball valve are opening and closing.  
It is not recommended to use them in partly open services for long periods of time and under high pressure drops.



### Application:

- Plumbing
- Irrigation
- Pipes
- Circuits

### STANDARD PARAMETERS

Structure: See attached diagrams **A** or **B**

Handle: Lever

Axis: Antileak system

IP protection: IP56

Usage limits:

Maximum nominal pressure: 25 bar

Working temperature: -20 to 50°C (Without steam)

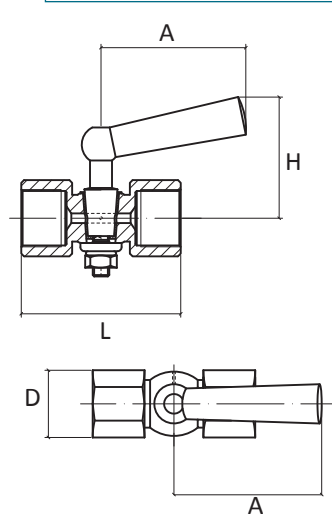
Threaded connection: ¼" BSP, ⅜" BSP or ½" BSP

### MATERIALS

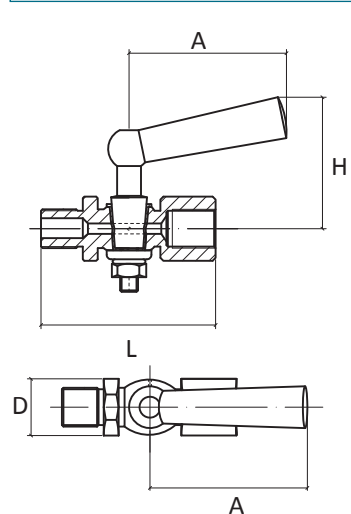
Body: Brass

Handle: Polyethylene

### A Female - Female



### B Male - Female



Structure	Threads	Max PN	DIMENSIONS (mm)				WEIGHT (g)
			A	L	H	D	
Female - Female	¼" BSP	25 bar	60	57.9	50	19	105
	⅜" BSP	25 bar	60	58.6	50	21.1	130
	½" BSP	25 bar	60	57.9	50	24.5	150
Male - Female	¼" BSP	25 bar	60	57.9	50	19	111
	⅜" BSP	25 bar	60	58.6	50	21.1	134
	½" BSP	25 bar	60	57.9	50	24.5	145

### How to order

1. Structure

2. Threaded connection

**A** **B**



¼" BSP

⅜" BSP

½" BSP



VP0325 -

1

2

www.termometros.com



V2

+34 94 676 63 64

info@termometros.com

Order it online!